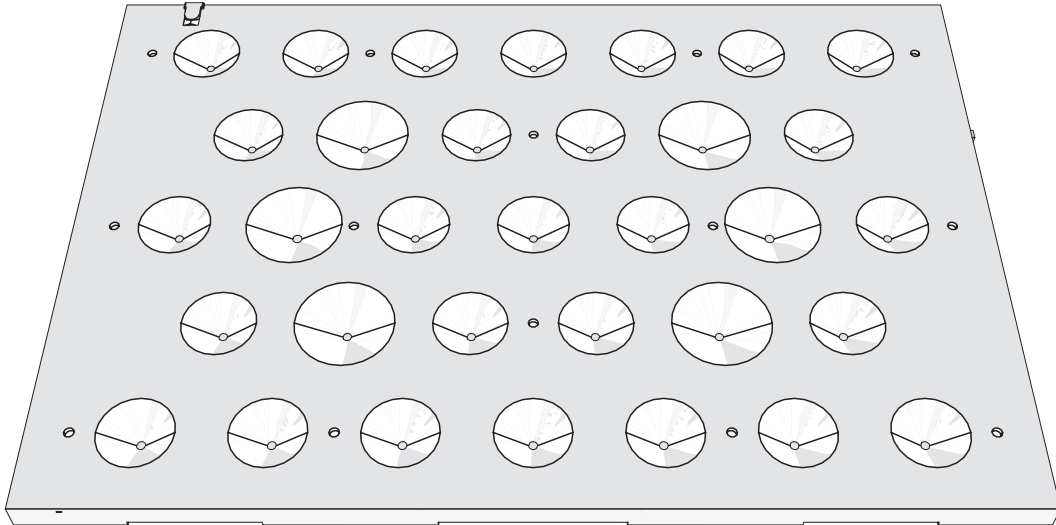




Bonsai Hero

Manual
80W



Thank you for purchasing a HansPanel. You now own a very powerful product, HansPanel has one of the highest efficiencies available on our planet today. It enables you to grow all kinds of vegetables and flowers in your own home, no matter which season it is, with an absolute minimal use of electricity.

Precautions:

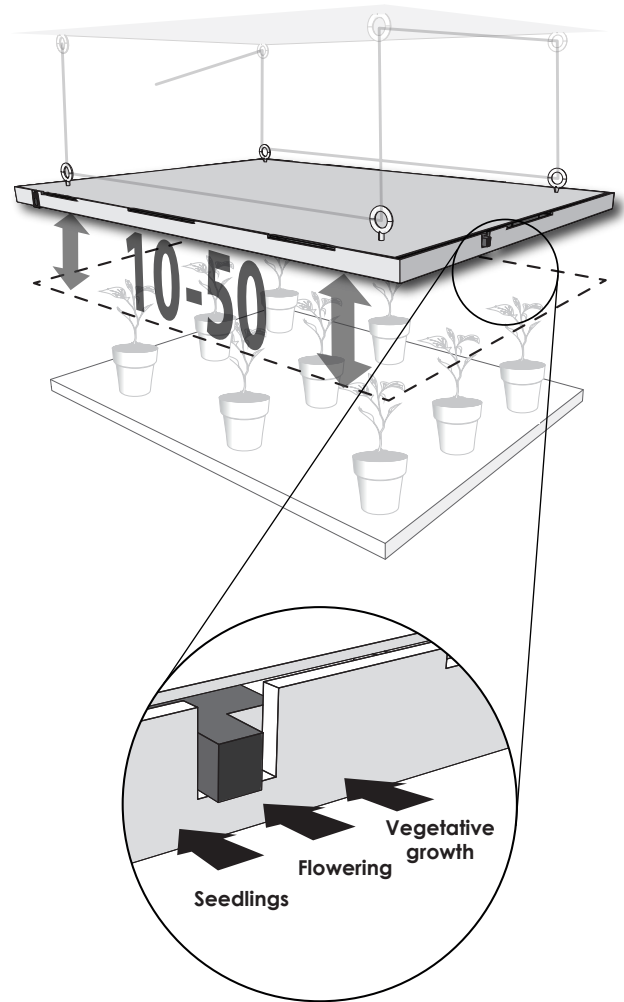
- Please keep the panel dry and clean. To achieve the highest efficiency, the leds are unprotected. So it is unadvisable to spray any form of dust or liquid over the panel, it can lead to light loss or serious damage.
- Please make sure the panel is properly connected to the power supply before connecting the power supply to the mains voltage and switching the panel On. If this order is reversed, by first connecting the power supply to the mains voltage and afterwards connecting the panel to the power supply, damage might appear to the panel.
- Please switch the panel Off by disconnecting the power supply from the mains voltage.
- Please ensure the fan is not covered by any material, it needs a free airflow.

Maintenance:

- You can use a soft cloth and gently swipe the panel clean, if needed.
- To clean the soft domes of the Leds, carefully use a Q-tip, cotton swab, that's has been dripped with window glass cleaner. Please be aware the Led-domes are rather fragile, damaged domes are not covered by warrantee.

Usage:

- Install the panel so that most of the Ledlight will reach the plants, covering the walls of your grow-area with reflective foil or white paint might improve this.
- The switch on the side of the panel has 3 positions, each of these activates a different number of Leds. The sticker on top of the panel shows which position is used:
 - Seedlings position is the lowest setting, this is intended for seeds and cuttings until they are about 10 cm tall. The total power consumption will be about 38 watt. Recommended distance to canopy 20 to 50 cm.
 - Vegetative growth position is for plants that are growing rapidly without forming flowers or fruit yet. Total power consumption about 60 watt. Recommended distance to canopy 10 to 50 cm.
 - Flowering position, is the highest setting, it is for plants that are fully forming fruit or flowers. All leds will be activated, total power consumption 85 watt. Recommended distance to canopy 10 to 50 cm.



Specifications:

- 68 Watt Cree XBD and Osram LH-CPDP LED Power, total power consumption max 85 Watt.
- 3 selectable positions; (1) Seedlings and cuttings, (2) Vegetative growth and early weeks of flowering, and (3) Full flowering position.
- 4 Cree XBD Royal Blue, 17 Cree XBD 701 Red, 2 Cree XBD White and 10 Osram LH-CPDP DeepRed Led's
- Metal Core PCB for the very best cooling
- No light losses caused by glass or plastic barriers in front of the Led's,
- External waterproof power supply, no heat contribution to the Led's, power supply with 2 meter cable, easily unpluggable.
- Panel size 26 cm * 38 cm * 4 cm, 10" * 15" * 1.6"
- EU, USA or UK power supply included
- Reflector easily demountable for cleaning
- Solid construction, simple industrial design
- Very quiet, only -45 dB at 60 cm, 24"

Warrantee:

- Your HansPanel has a 2 year full warrantee, please contact us by email if a malfunction appears.



BonsaiHero

van Diemenstraat 410
1013CR Amsterdam
Netherlands
+31 (0)20 6383788
sales@bonsaihero.com